

TOWER UNIT SHELVES ONLY

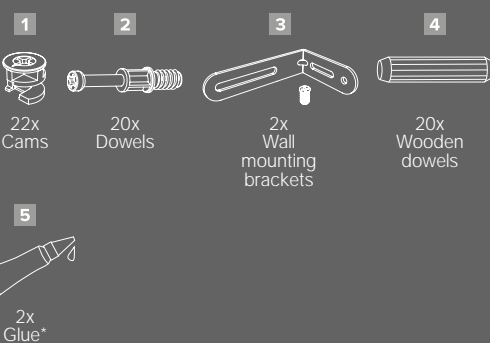
(450 & 600MM WIDE)

Assembly Instructions

CONTENTS:


- 1x Top panel
- 1x Side panel (left)
- 1x Side panel (right)
- 5x Shelves
- 1x Plinth panel

TOWER FIXINGS



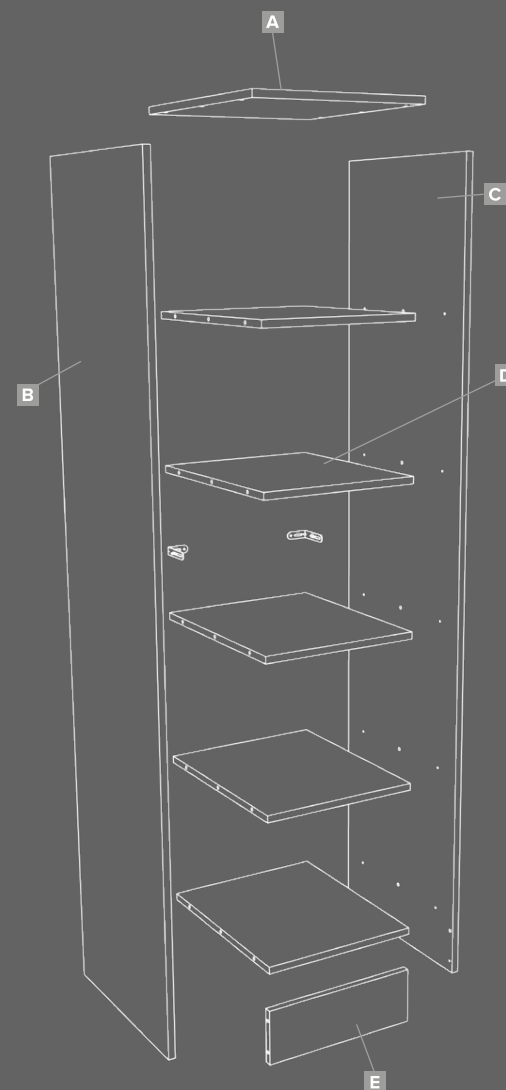
*A drop of glue needs to be added into all holes the wooden dowels are placed into (item 4).

RECOMMENDED:

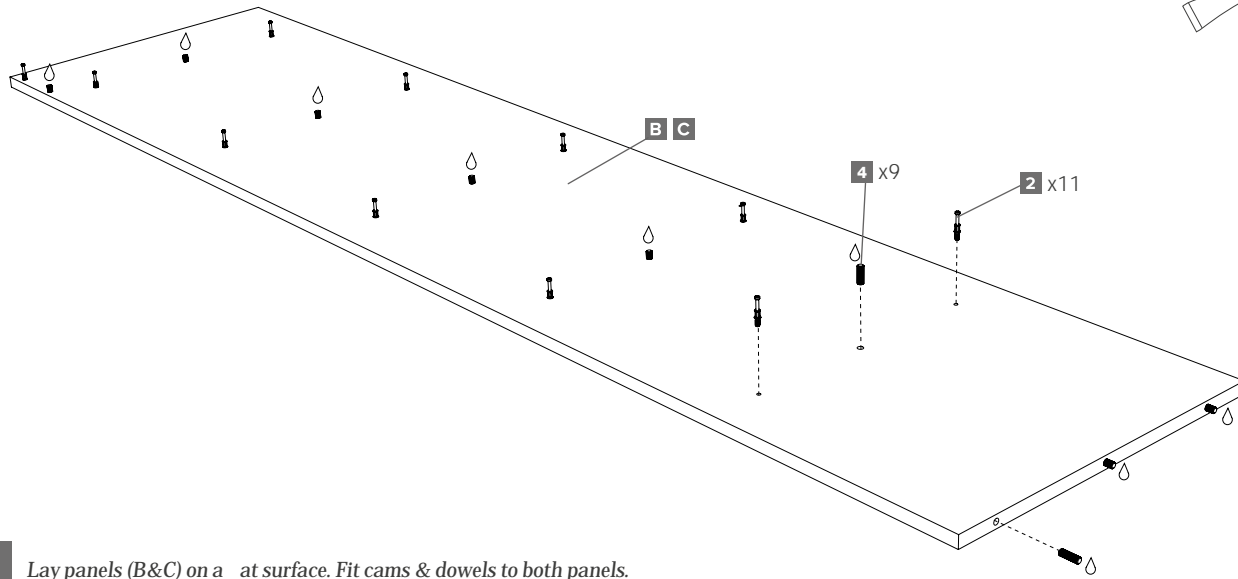
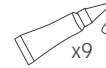
- Tools: Pozidrive screwdriver
- Two person build 



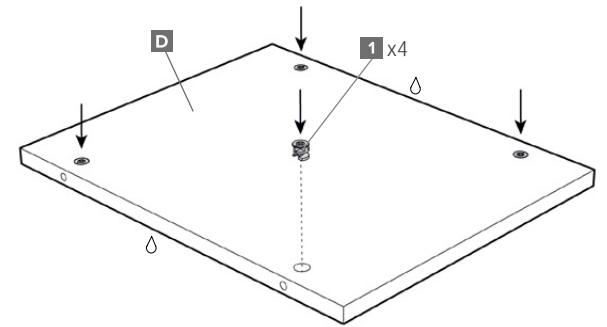
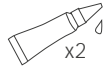
We recommend you use the Wall Mounting Brackets provided to fix the Tower Unit to a wall (where possible). This will prevent the unit being pulled over. Use suitable wall fixings.



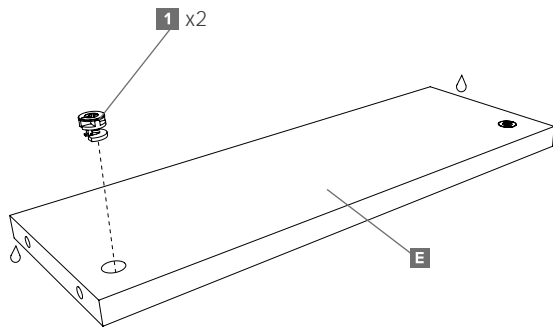
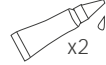
Note: B panel shown



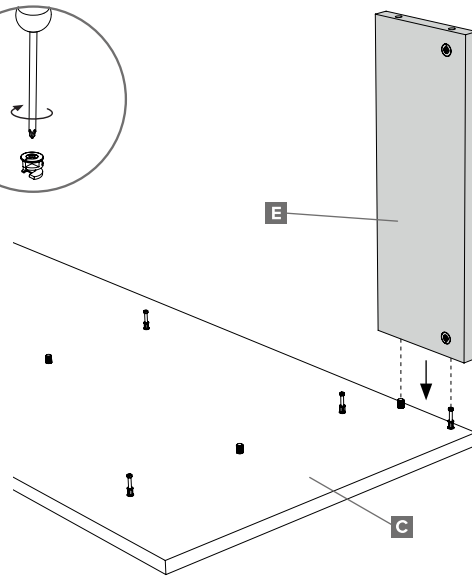
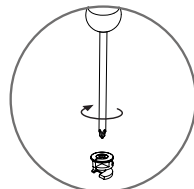
1 Lay panels (B&C) on a flat surface. Fit cams & dowels to both panels.



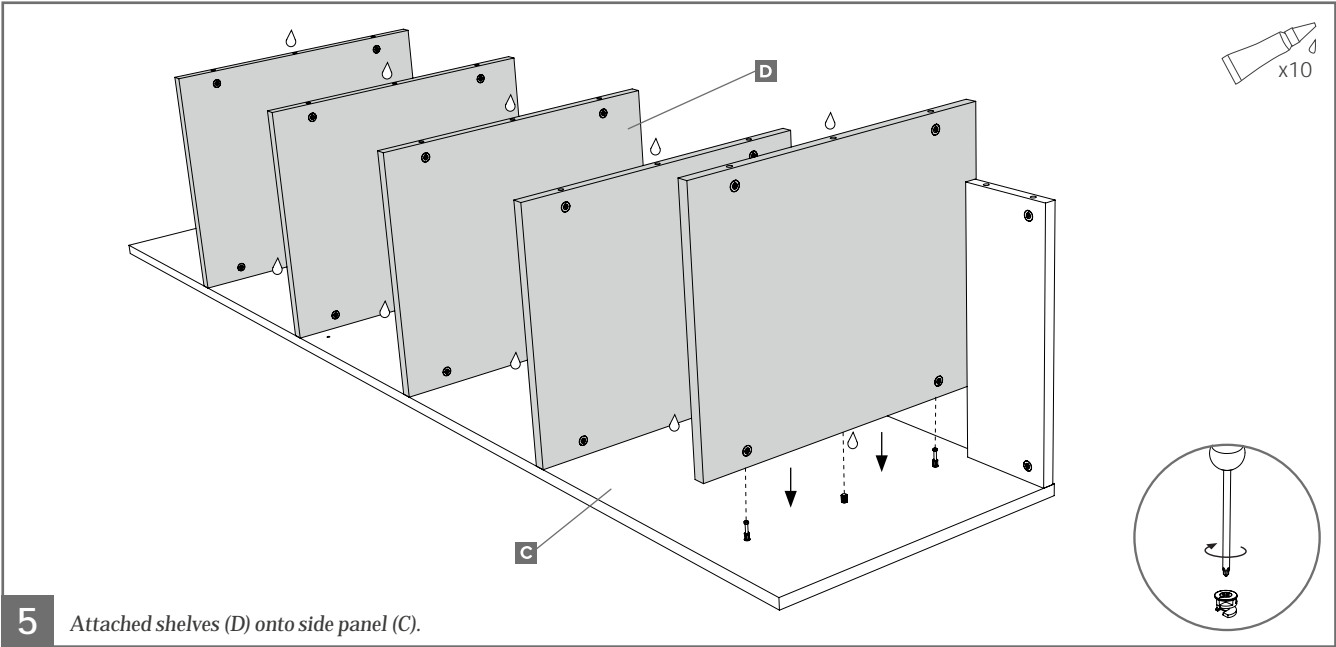
2 Apply to all shelves.



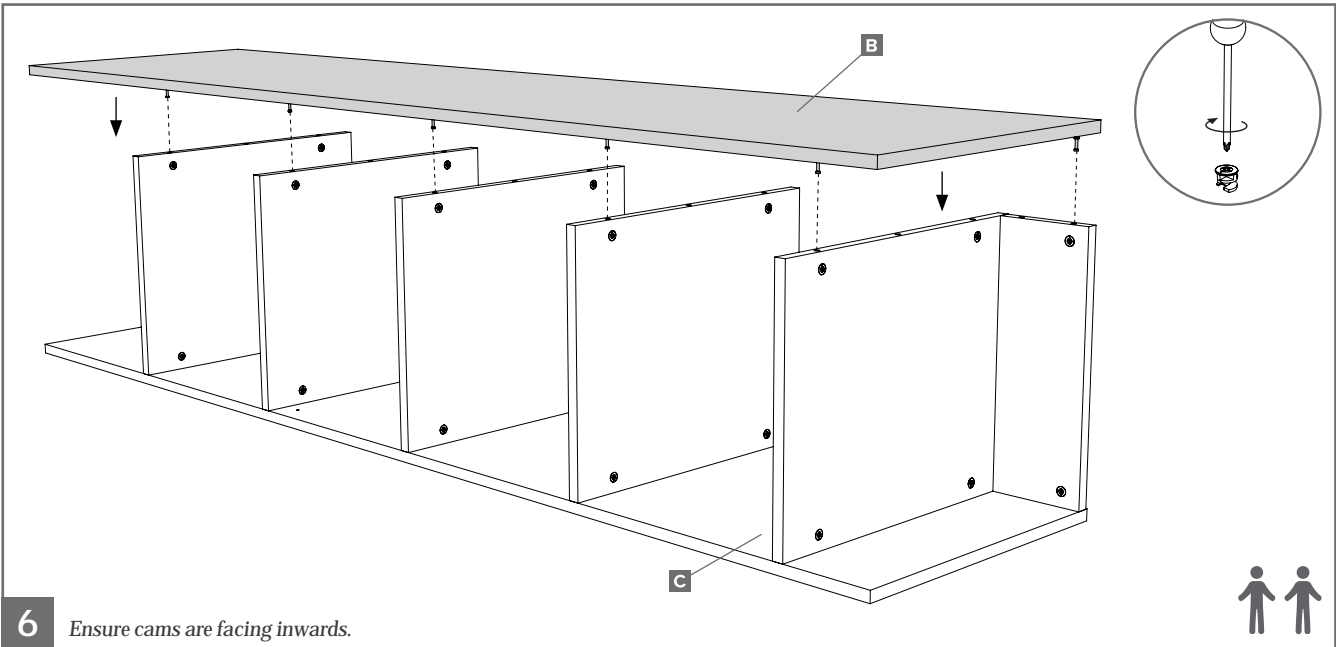
3



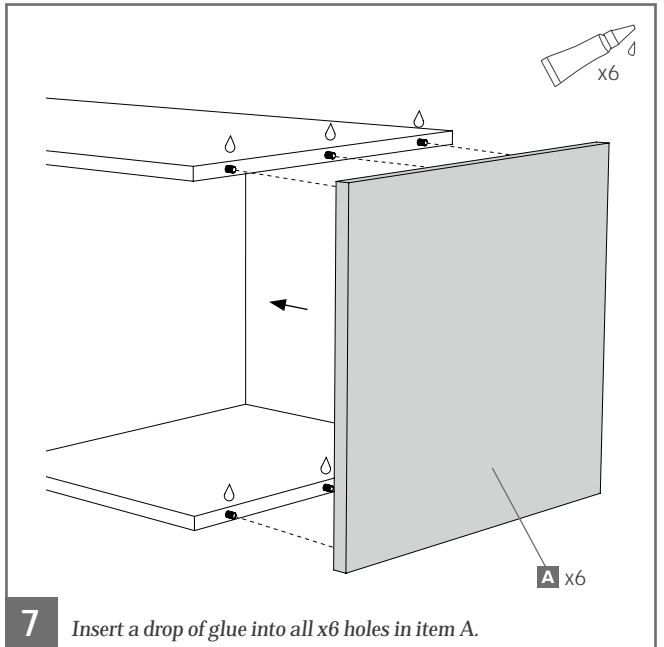
4



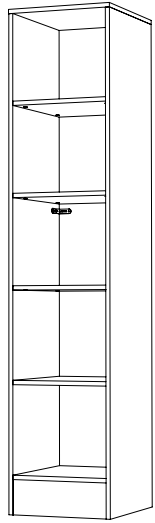
5 Attached shelves (D) onto side panel (C).



6 Ensure cams are facing inwards.



7 Insert a drop of glue into all x6 holes in item A.



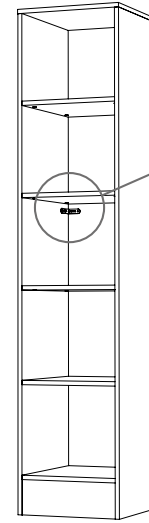
8 Use two people to stand up straight.



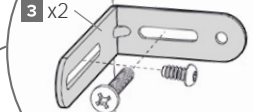
WALL MOUNTING BRACKETS



We recommend you use the Wall Mounting Brackets provided to fix the Tower Unit to a wall (where possible). This will prevent the unit being pulled over. Use suitable fixings.



Use suitable wall fixings

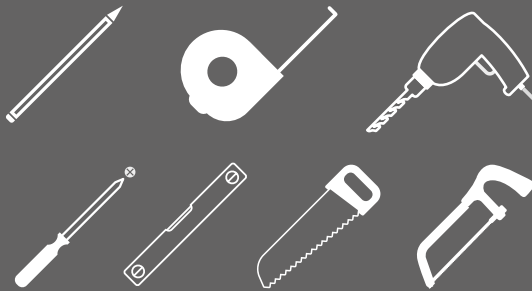


9 Fix the wall mounting bracket to both sides of the Tower Unit. (Use suitable fixings when attaching to the wall).

HOW TO FIT TOWER UNIT

Assembly Instructions

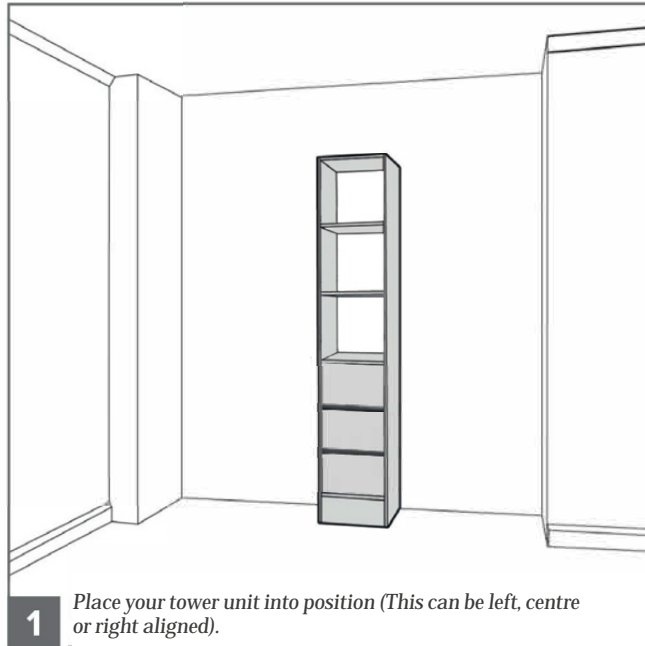
TOOLS REQUIRED:



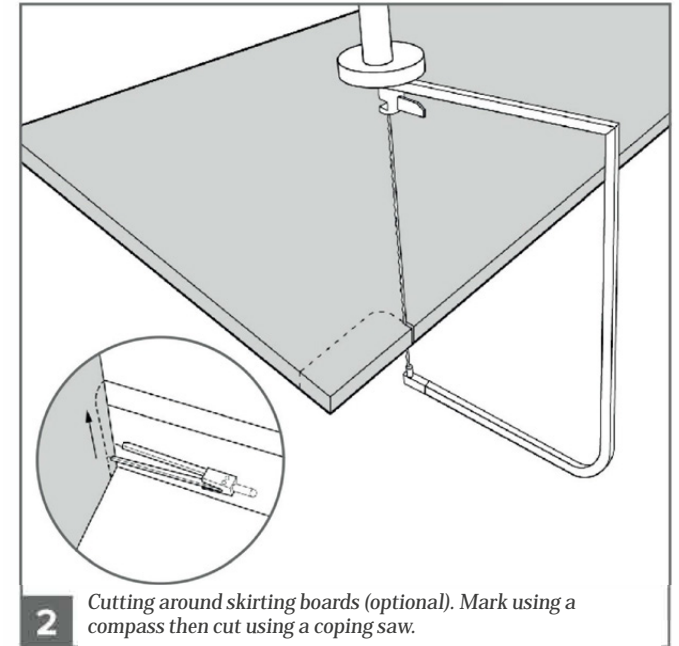
⚠ Please check your opening for any hidden electrical wires and water pipes before / screwing.

🚫 Screws not supplied. Use suitable screws and plugs.

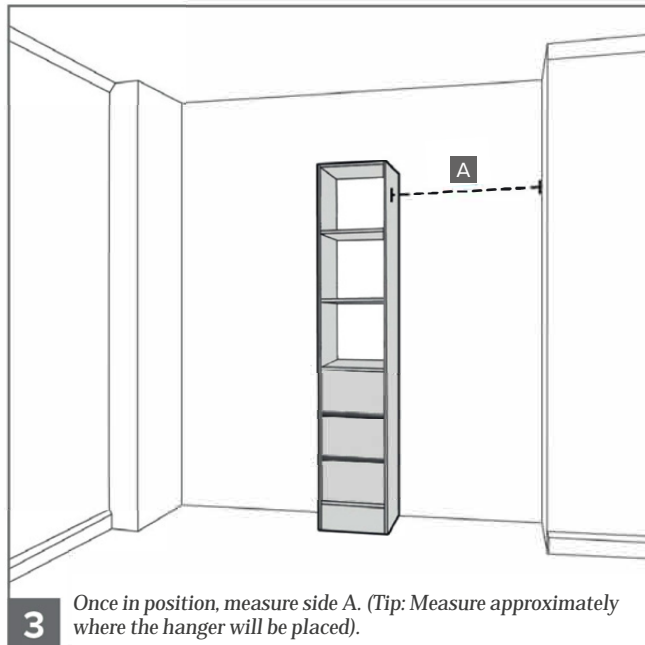
V1



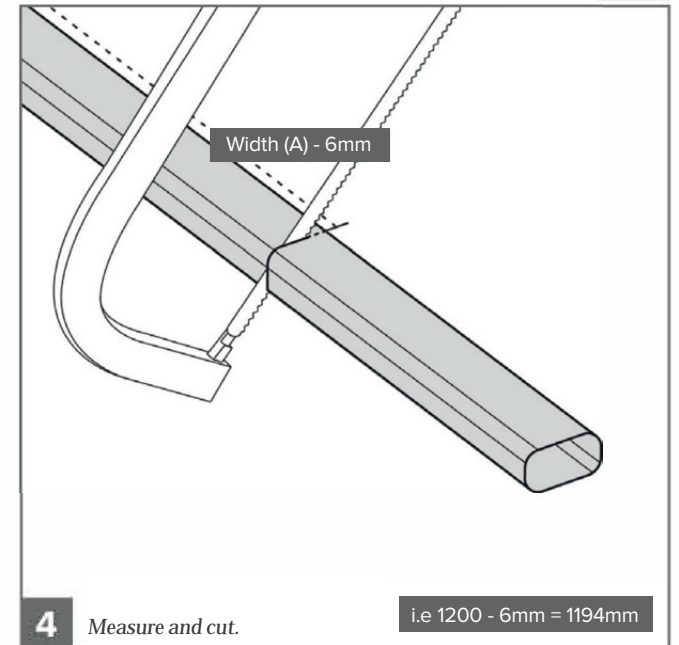
1 Place your tower unit into position (This can be left, centre or right aligned).



2 Cutting around skirting boards (optional). Mark using a compass then cut using a coping saw.

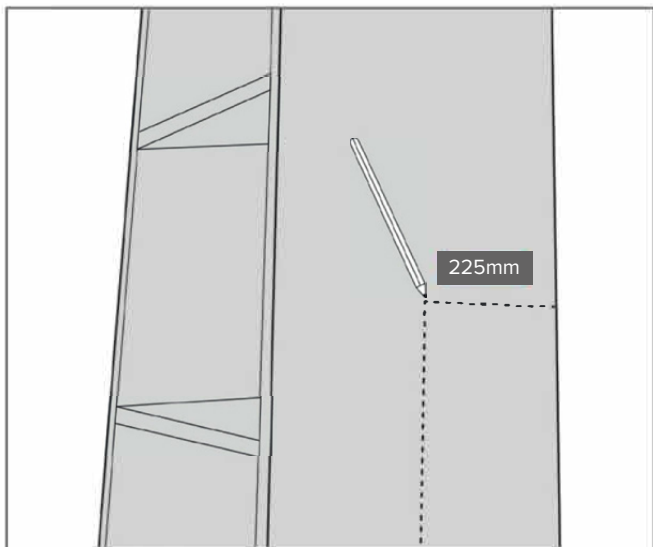


3 Once in position, measure side A. (Tip: Measure approximately where the hanger will be placed).

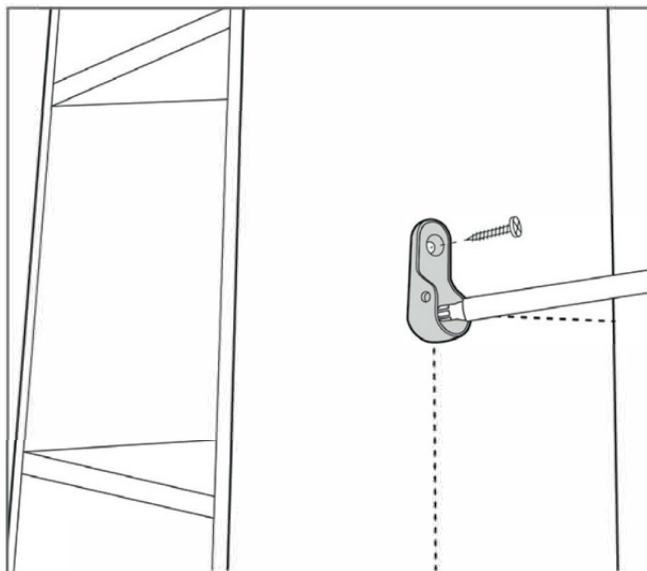


4 Measure and cut.

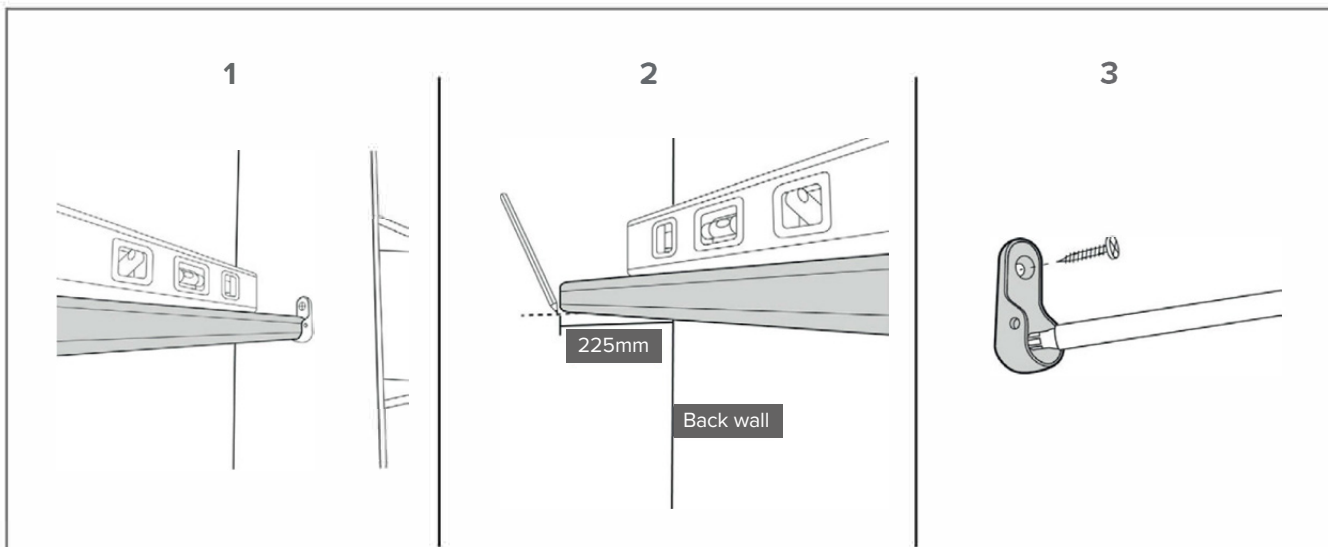
i.e 1200 - 6mm = 1194mm



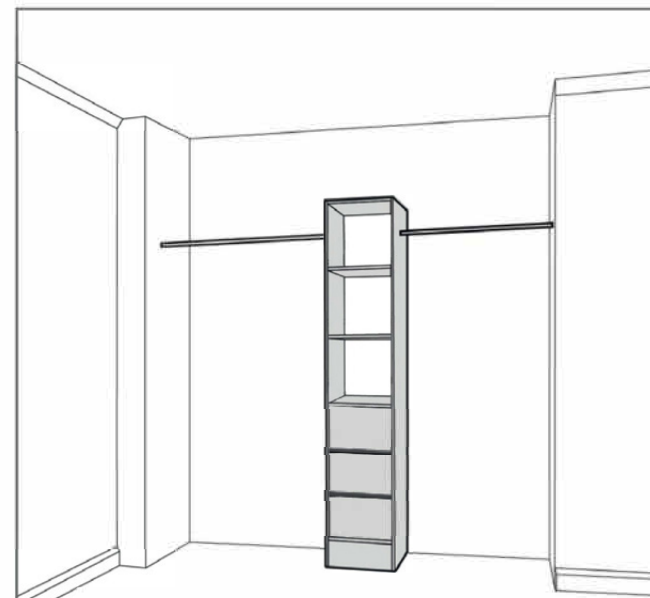
5 Mark the position of the hanger bar. By measuring in 225mm to the centre of the tower unit.



6 Fix first bracket through both holes. (We recommend 16mm screws).



7 Fitting the second hanger bar. 1- Place hanger bar into first bracket and level up. 2- Make sure to mark position on the side wall 225mm from the back wall. 3- Then fix into position.



8 Repeat 3-7 for remaining hanger bars.

